

AB0101/AB0102

Illustrated Parts List

ETEK[®] ELECTRIC MOTOR (BRUSH VERSION)

AB0101

0115, 0116, 0117,
0118, 0123, 0124.

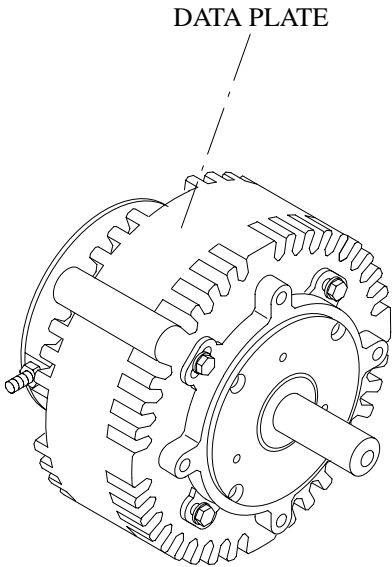
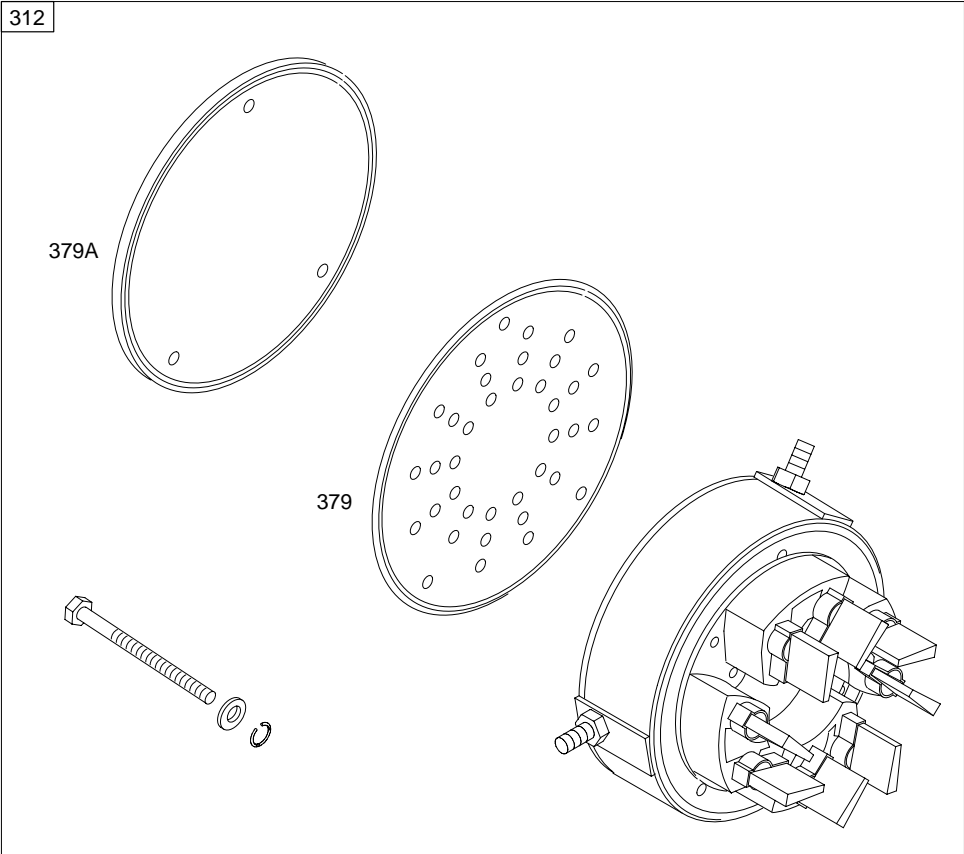
AB0102

0119, 0120, 0121,
0122.



PRINTED IN U.S.A.

COPYRIGHT by BRIGGS & STRATTON CORPORATION
All rights reserved. No part of this material may be reproduced or transmitted,
in any form or by any means, electronic or mechanical, including photocopying,
recording or by any information storage and retrieval system, without permission
in writing from Briggs & Stratton Corporation.



REF. NO.	PART NO.	DESCRIPTION	REF. NO.	PART NO.	DESCRIPTION	REF. NO.	PART NO.	DESCRIPTION
312	696952	Housing-Brush End	379	696953	Cover-Brush			
			379A	698711	Cover-Brush			