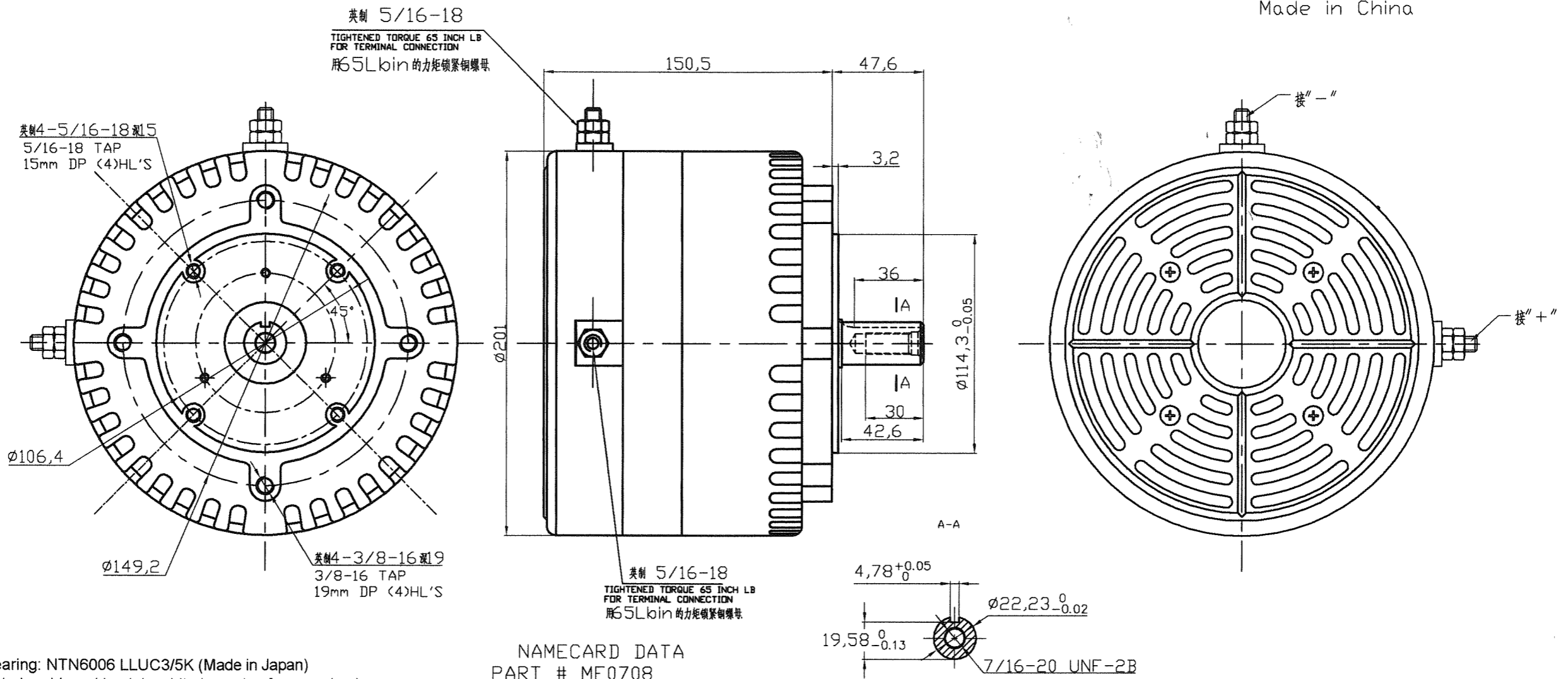


技术要求:  
1、电机允许顺、逆方向运行,按图示接线,从轴伸端视为逆时针方向。  
2、电机前轴承型号采用NTN6006 LLUC3/5K(日本原装)。  
4、电机用聚苯乙烯泡沫和普通白盒包装,每台电机上应刻上铭牌。  
5、包装盒上需注: Date Code:xxxxxx  
Part Number:ME0708  
Made in China



NOTES:  
1.CCW  
2.Front bearing: NTN6006 LLUC3/5K (Made in Japan)  
3.Product to be shipped in plain white box, styrofoam packaging  
Include Dyno Plot in box.  
4.Box to be marked:  
Date Code: XXXXXXXX  
Part Number: ME0708  
Made in China

NAMECARD DATA  
PART # ME0708  
DATE CODE XXXXXX  
SERIAL #:XX.XX.XXXX  
Mars Electric LLC  
Milwaukee, WI USA

规格表

型号 MODEL	输出功率 (W) POWER (W)	电压 (V.DC) VOLTAGE (V.DC)	转矩 (LB?IN) TORQUE (LB?IN)	额定转速 (RPM) LOADED SPEED (RPM)	空载转速 (RPM) NO LOAD SPEED (RPM)	电流 (A) CURRENT (A)
200SYX01	6060	48	160	3200 <sup>+250</sup> <sub>-200</sub>	appr.3700	?148

REV.	CHANGES	BY	ECO NO.	DATE	DO NOT SCALE DRAWING THIS DRAWING IS PROPRIETARY PROPERTY OF MARS ELECTRIC LLC CORPORATION DISCLOSED IN CONFIDENCE. WHICH MAY NOT BE USED OR DISCLOSED WITHOUT PERMISSION. RETURN PROMPTLY AFTER USE.	DIMENSIONING AND TOLERANCING PER ANSI Y14.5M-1994	MATERIAL	TITLE OUTLINE 200SYX01 永磁式直流电机 外形图	Mars Electric LLC MILWAUKEE, WISCONSIN, U.S.A.
-	-	-	-	-	-	CLASSIFICATION OF CHARACTERISTICS	-	DRAWN: XIXING 07.09.13	-
-	-	-	-	-	-	CRITICAL (C):	S/N: CODE:	APPR:	DESIGN VENDOR: -
-	-	-	-	-	-	EMMISSIONS (E):	MODEL NO:	DEPT:	ME0708
-	-	-	-	-	-	MAJOR (M):	SIM TO:	SCALE: -	OJWT.300.350